

Automatic multi-shapes screwer

Machine for pumps, caps, triggers, spray caps...



- ▶ 3 tightening wheels set screwing technology
- ▶ Accurate, noiseless and economic maintenance
- ▶ Quick changeover without change parts
- ▶ Production pace up to 5.000 units/hour
- ▶ Suitable to all conveyors



Food



Chemical-Detergent



Pharma-Cosmetic



Features

Our linear multi-shape screwer is designed for all types of caps, triggers and sprays, with or without safety system.

Strongly built and mobile, the machine offers excellent results with quick changeover and without change parts.

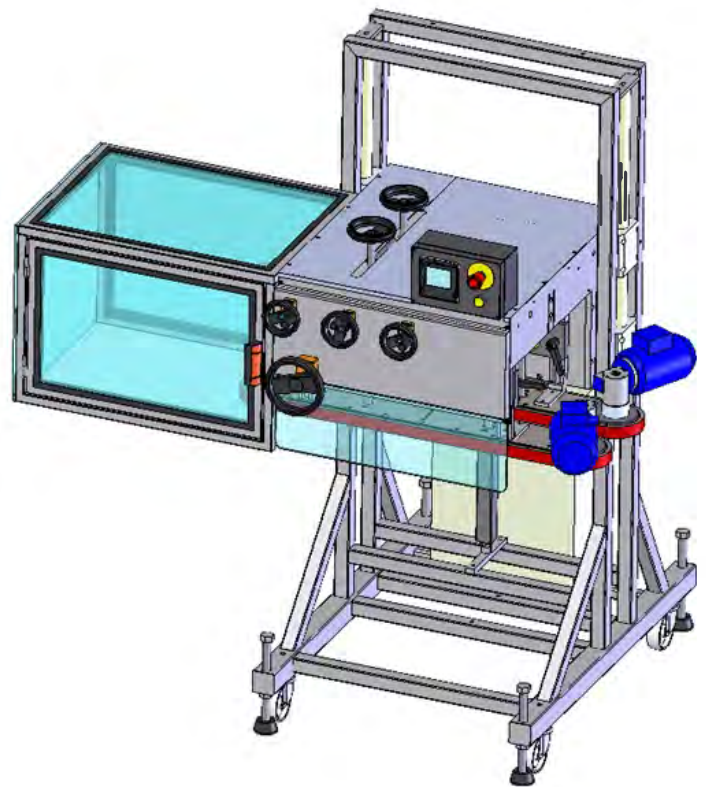
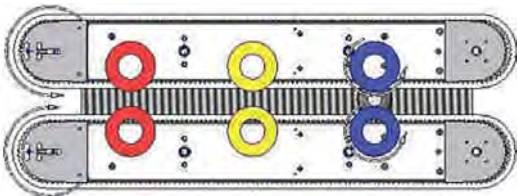
The cap feed is either manual or automatic with addition of feed bowl and chute (option).

We offer a wide variety of options and finishings to meet your specifications.

The screw technology used can reach production pace up to 5000 pcs/h depending on the shape of the contain to be screwed.

Our screwing technology

- ▶ 3 sets of wheels



Options

- ▶ Trigger guide
- ▶ Pneumatic press in for caps to push



Filling Screwing Labelling



Tél. : +33 (0) 1 60 31 55 55 – Fax : +33 (0) 1 60 31 55 50

Parc d'Activités du Gasset

2, rue des Terres-Fortes

F 77600 CHANTELOUP-EN-BRIE (France)

E. mail : stoppil@stoppil.fr – Site : <http://www.stoppil-industrie.fr>