

FILLING - CAPPING - LABELLING



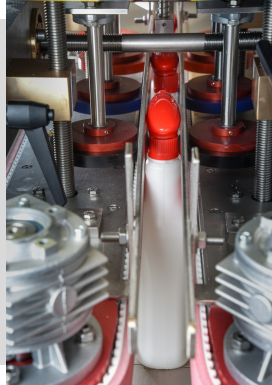
**EB6000 MUTLIFORMATS
AUTOMATIC CAPPING MACHINE**



EB6000 MULTIFORMATS AUTOMATIC CAPPING MACHINE



Height and width adaptable to the conveyor



Multiformat screwing



Screwing with 3 sets of wheels

CHARACTERISTICS

- Structure in 304L stainless steel and anodized aluminum
- 3,5" touchscreen
- Manual installation of the caps by the operator
- Unstable bottles holding belt
- Programming up to 100 recipes
- Tangential screwing by 3 sets of wheels for progressive screwing
- Accurate and noiseless

FLEXIBILITY OF USE

- For containers from 50 ml to 5 liters
- For all types of caps
- Quick format change without tools
- Economic maintenance
- Adaptable to all conveyors

SPEED

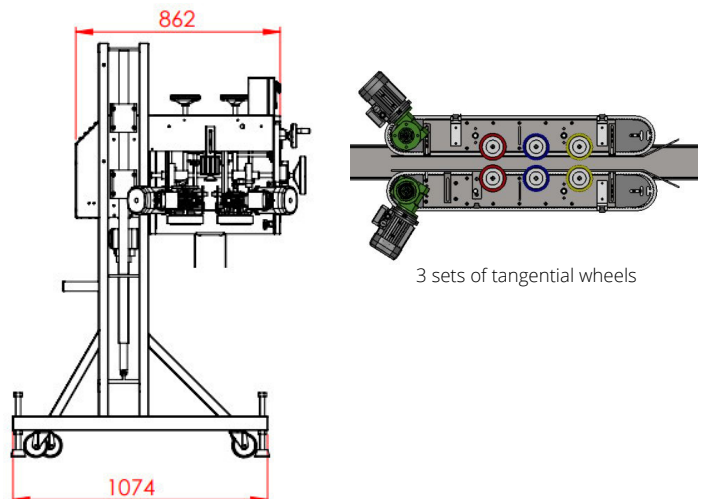
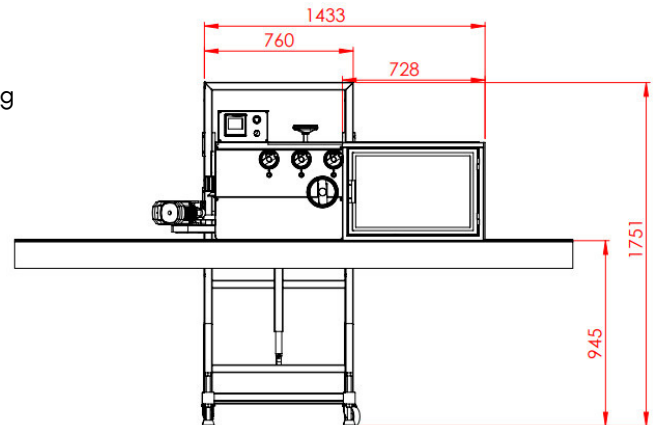
- Up to 5000 caps/hour

MAIN OPTIONS

- Pneumatic driver for clip-on caps
- Guides for triggers

DIMENSIONS

*Dimensions (in cm) should change depending on the chosen options



3 sets of tangential wheels