

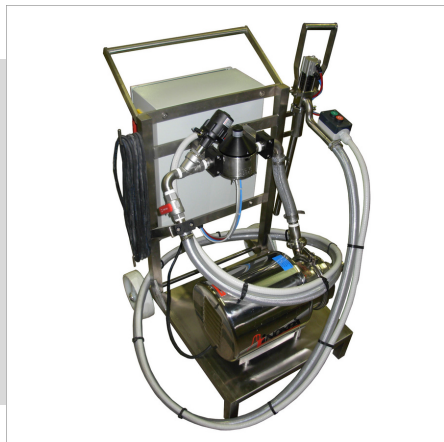
FILLING - CAPPING - LABELLING



MOBILE KEGGING STATION



# MOBILE KEGGING STATION



2 wheels keggling station



Keggling station for corrosive products



ATEX DN50 keggling station

## CHARACTERISTICS

- 304L Stainless Steel structure
- Machine equipped with a volumetric, electromagnetic or mass flowmeter depending on your product
- Control carried out by electronic card
- Pump adapted to your product

## FLEXIBILITY OF USE

- For filling drums from 5 to 1000 liters
- 2 or 4 wheels for easy movement
- Filling directly on the pallet

## APPLICATIONS

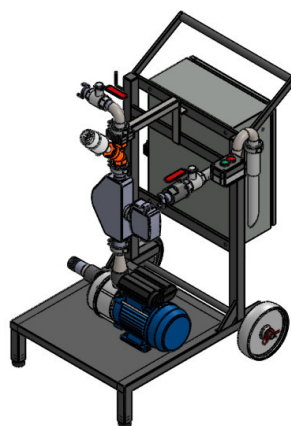
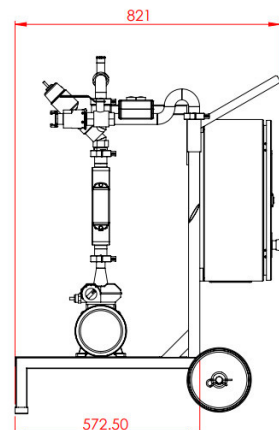
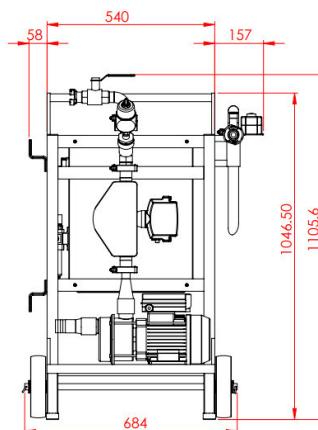
- Food
- Chemicals
- Détergents

## MAIN OPTIONS

- Version for corrosive products
- Not compatible with stainless steel version
- ATEX version
- Control by automat
- Ticket printing

## DIMENSIONS

\*Dimensions (in cm) should change depending on the chosen options



DN25 filling trolley



Stainless Steel filling nozzle



PVC filling nozzle



End closure filling nozzle