

FILLING - CAPPING - LABELLING



## SEMI-AUTOMATIC WEIGHT FILLING MACHINE



# SEMI-AUTOMATIC WEIGHT FILLING MACHINE



Diving weight table



Weight table with rollers



Weight table with feeding table

## CHARACTERISTICS

- Machine frame in AISI 304L stainless steel
- Machine equipped with a metrological certification scale (depending on use) on a Mettler-Toledo basis
- Piloting carried out by electronic card
- Great accuracy of filling

## FLEXIBILITY OF USE

- Filling of containers up to 60 kg
- Machine equipped with 1 to 2 filling heads
- Quick format change without tools
- Easy cleaning: no contact between sensor and product

## APPLICATIONS

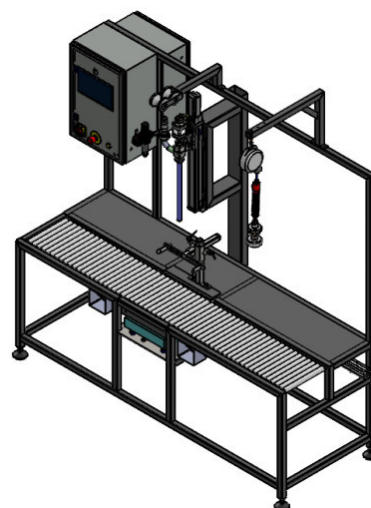
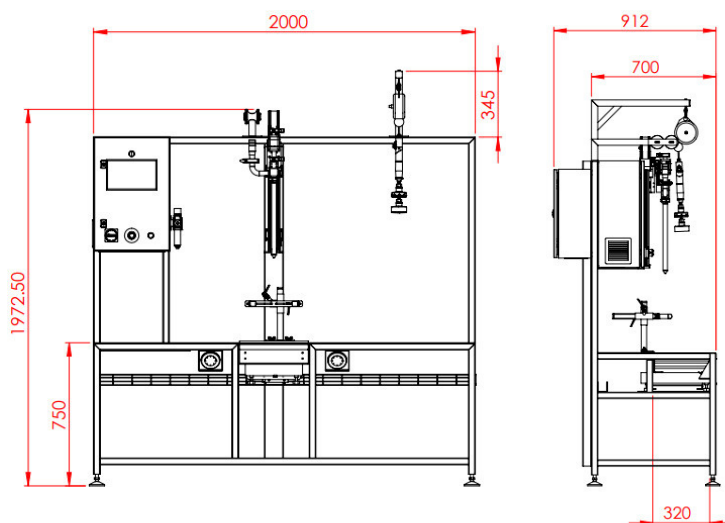
- Food
- Chemicals
- Cosmetics
- Pharmaceuticals

## OPTIONS

- Option for corrosive or non-stainless steel products
- ATEX version
- Distance filling nozzle managed by an electric cylinder
- Manual pneumatic screwer adjustable on the structure

## DIMENSIONS

\*Dimensions (in cm) should change depending on the chosen options



Weight table with rollers