

FILLING - CAPPING - LABELLING



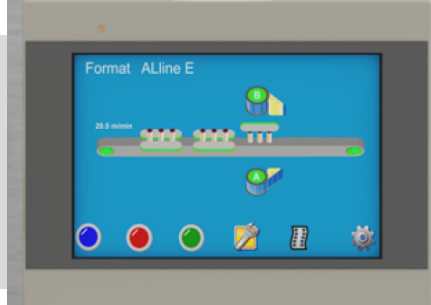
## ALLINE AUTOMATIC LABELLING MACHINE



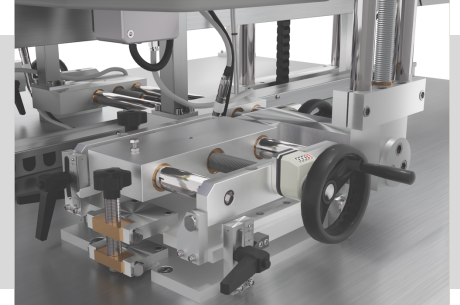
# ALLINE AUTOMATIC LABELLING MACHINE



Upper counter mat ALine



Touch screen



Head support with micrometric adjustment

## CHARACTERISTICS

- Stainless steel structure
- Product spacers by rubber roller
- Counter mat to stabilize the product
- Revolution counter on adjusting wheels
- Storage of up to 100 recipes

## FLEXIBILITY OF USE

- 1 or 2 labeling heads for double-sided
- Quick and intuitive format change

## SPEED

- Up to 12,000 vials / hour.

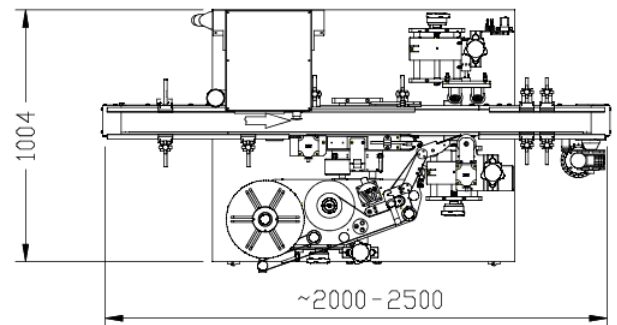
## MAIN OPTIONS

- Stainless steel structure
- Feeding turntable
- Micrometric head tilt adjustment
- Marker for lots and expiration dates
- Thermal printer
- Product flow control (minimum accumulation / loading)
- Labeling control at exit with automatic expulsion
- Automatic changeover
- Enclosed
- Head tilt adjustment

## DIMENSIONS

\*Dimensions (in cm) should change depending on the chosen options

### One head labelling machine



### Two heads labelling machine

